

Big Rig Pan/Tilt

Our Pan/Tilts are designed with high quality and affordability

Key Features

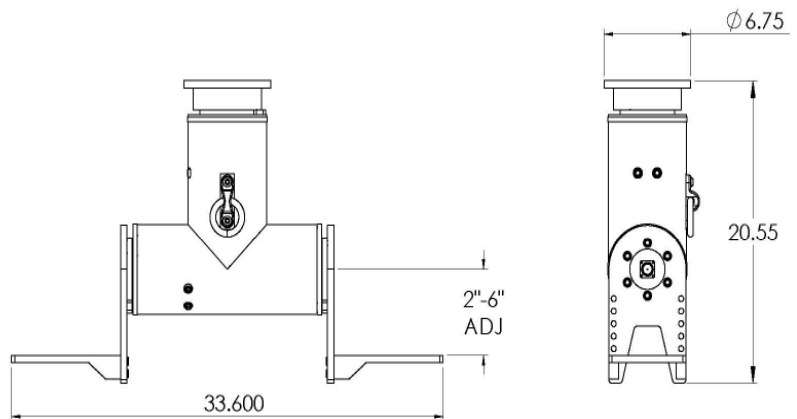
- Engineered and manufactured in USA
- Best price in its class
- Durable and rigid design
- LANC remote control interface
- IP, 10/100 Base-T Ethernet
- RS485 or RS232 serial control
- USB port

Specifications

- 8 open collector outputs for user defined control
- 8 general purpose inputs for user defined status indication
- 4-channel analog IN for user defined or analog PID control
- 4-channel analog OUT for user defined or analog PID control
- 4 limit switches inputs for user defined end of travel
- 2 high current relays for user defined control
- Pan travel: adjustable +/-165° w/ endstops
- Tilt travel: adjustable +/-165° w/ endstops
- Position accuracy: 4°
- Payload: 80 lbs
- Weight: 63 lbs (weight reduction optional)
- Power input: 24VDC/1.6A

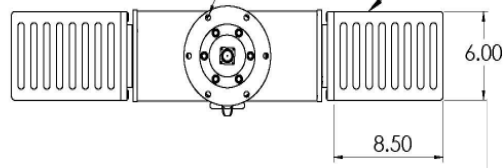
System Accessory Options

- Tablet or PC
- Video Robotics user interface software (Windows based)
- Any USB Generic Game Controller
- USB Video Management (VM) Controller
- IP Sony® RM-IP10 Controller
- Network switches
- Dual-band wireless routers
- Camera power source
- Zoom, focus, iris lens control
- Project-specific custom system modifications



MOUNTING DIMENSIONS:
6 x 3/8 SCREW CLEARANCE

CUSTOM CAMERA BRACKET SIZES
AVAILABLE BASED ON THE CAMERA SIZE



Part number VR 3010



VIDEO ROBOTICS, INC.
1349 W. 166th Street
Gardena, CA 90247 U.S.A
Telephone: 1-310-324-0055
www.videorobotics.com