

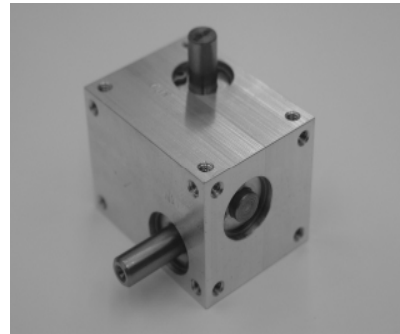
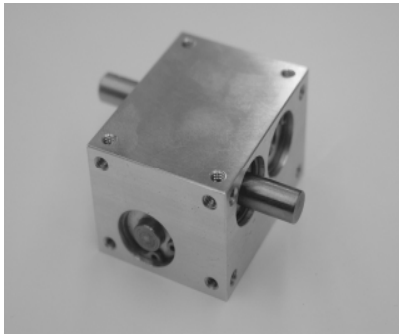
# Video Robotics, Inc.

...where smooth motion matters

400:1 and 200:1  
High Ratio Compact Speed Reducers  
In-Line and Right-Angle

## Key Features:

- High Ratio: 400:1 and 200:1
- Compact Size for Tight Spaces
- 6 Mounting Surfaces
- Quite -- Virtually No Noise
- In Line Worm Gearing
- Right-Angle Clockwise and Counter-Clockwise Shaft Input and Output



Part Numbers	VR-3100	VR-3105	VR-3110	VR-3115
<b>Ratios</b>	200:1	400:1	200:1	400:1
<b>Design</b>	In Line	In Line	Right Angle	Right Angle
<b>Housing</b>	Alum 6061	Alum 6061	Alum 6061	Alum 6061
<b>Worm Gears</b>	Alum Bronze	Alum Bronze	Alum Bronze	Alum Bronze
<b>Gear's Module</b>	0.5	0.5	0.5	0.5
<b>Worms</b>	Steel	Steel	Steel	Steel
<b>Lubricant</b>	Grease	Grease	Grease	Grease
<b>Sleeve Bearings</b>	Bronze	Bronze	Bronze	Bronze
<b>Backlash</b>	10 degree	10 degree	10 degree	10 degree



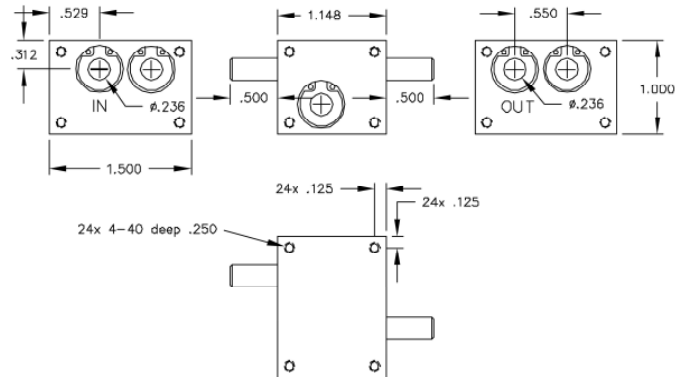
1349 W. 166<sup>th</sup> Street  
Gardena, CA 90247  
U.S.A.  
Telephone: (310) 324-0055  
Website: [www.videorobotics.com](http://www.videorobotics.com)

# Video Robotics, Inc.

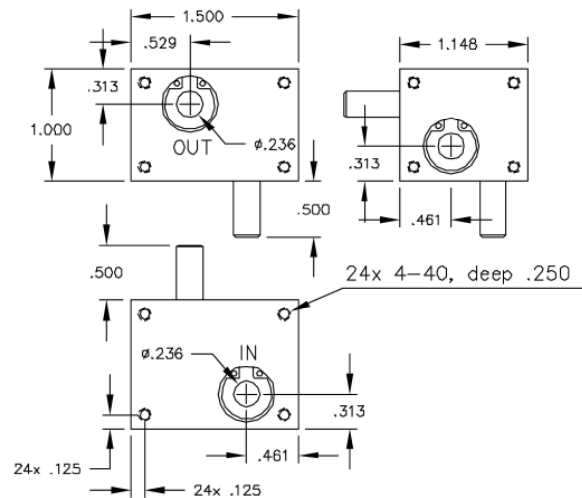
...where smooth motion matters

400:1 and 200:1  
High Ratio Compact Speed Reducers  
In-Line and Right-Angle

## In-Line



## Right-Angle



1349 W. 166<sup>th</sup> Street  
Gardena, CA 90247  
U.S.A.  
Telephone: (310) 324-0055  
Website: [www.videorobotics.com](http://www.videorobotics.com)